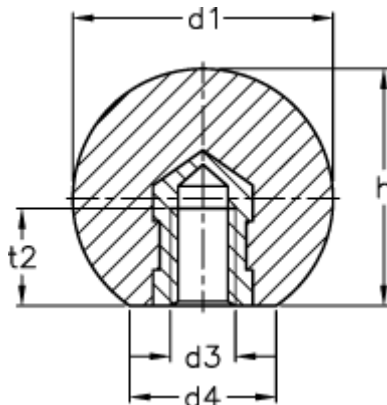


Article number: 20135468

Description: E+G Ball knob DIN 319-KU-50-M12-E-MS

Measures



$d1$	= 50
$d3$	= M12
$d4$ approx.	= 27
h	= 46.0
$t2$ min.	= 18.0